

46 bar Optical Level Control Unit TK3

CONNECTORS VERSION



CABLE GLANDS VERSION



MAIN FEATURES

- **High reliability** ensured by absence of mechanical moving parts.
- **Sight glass and electronic LEDs** can be checked **on the same side** where is **more comfortable** to do **inspections**.
- Well consolidated steel with fused glass technology and the absence of seals ensures **no leakage** and **good chemical compatibility**.
- **Direct mounting onto 3/4 bolts compressors**
- **Easy maintenance of the coil of the valve and of the Electro-Optic sensor** that can be easily replaced **without emptying or depressurizing the plant**.
- **No need to use external pressure reduction devices**
- **Maximum compatibility with particular media** due to the possibility of mounting of different/custom valves
- 230 VAC /2A alarm relay output suitable for **direct connection in the security chain** of the system
- **Adapters suitable for various types of compressors**
- **Unit conform to directives:**

*2004-108-CE

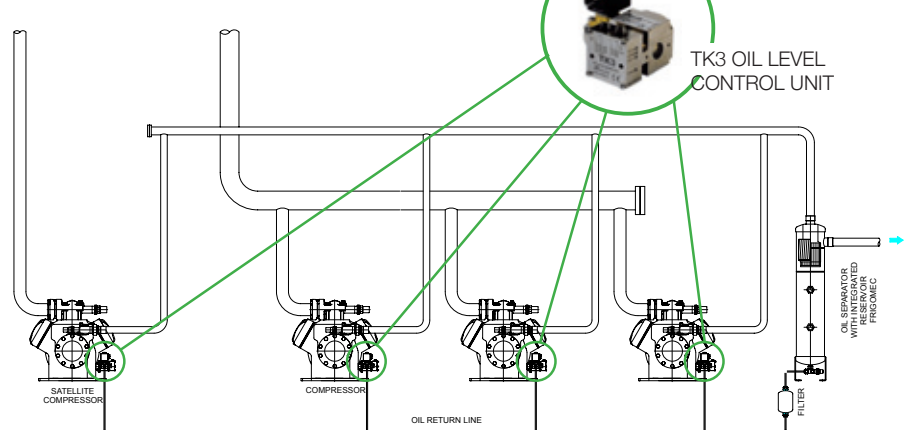
*CEI EN 60204-1:2006



Application Description

The TK3 is designed to control the oil level in the compressor crankcase in order to avoid the compressor to run without oil and so improve its lifetime. TK3 monitors the oil level with the embedded electro-optic sensor and comprises a solenoid valve for oil filling and a relay output contact to give an alarm or directly stop the compressor (through a separate power relay).

HIGH PRESSURE OIL RETURN LINE SYSTEM EXAMPLE WITH THREE COMPRESSORS PLUS ONE SATELLITE



Some other advantages of this solution:

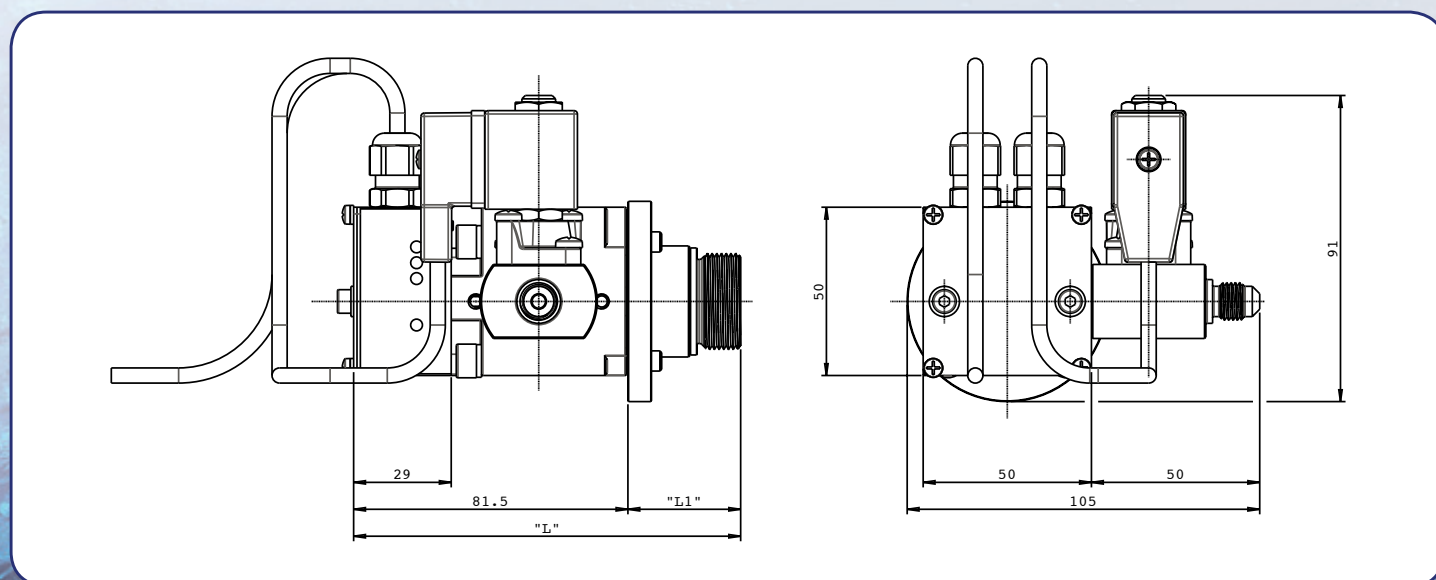
- The TK3 is suitable to work with all the ΔP of the system so there is no need to use pressure reduction components.
- Reduction of the number of junctions in the circuit with less possibility of having leakages.
- Usage of less components (simplified circuit and easier warehouse management).
- Simplified Installation (cost savings in terms of installation time).
- No need for calibrations on the field.

46 bar Optical Level Control Unit TK3

Technical Data

SUPPLY VOLTAGE	24 VAC \pm 10% @ 50 Hz
SUPPLY CURRENT	0,6A during normal operation (depending on the solenoid valve.) Each TK3 require 20VA
ELECTRICAL CONNECTION	9.4mm Industry Standard Connectors / EN175301-803 Connector or spare wires
OUTPUT SIGNAL	Contact free relay output NO and NC
RELAY OUTPUTS	Up to 230VAC @2A The Normally Open (NO) alarm contact is closed when power is applied to the TK3
HOUSING MATERIAL	Nickel plated steel
ENCLOSURE PROTECTION CLASS	IP 65
MEDIA TEMPERATURE	-40°C÷+85°C
AMBIENT TEMPERATURE	-40°C÷+60°C
MAX WORKING PRESSURE	46 bar (higher pressure limits available on different TK3 models)
MOPD	26 bar (higher pressure limits available on different TK3 models)
OIL RETURN LINE	7/16 – 20 UNEF male
CABLE TYPE	PVC cable CEI 20-22. Working temp.: -20 ÷ +70 °C (fixed laying)

Mechanical Dimensions (e.g. cable glands version)



Note. - Quotes in mm -. L and L1 can vary depending on the adapter (see TK3 Adapters Addendum)



Via Emilia Ovest, 1179 - 41123 Modena - Italy
Tel. +39 059 375498 - Fax +39 059 376294
info@teklab.eu - www.inrefrigeration.com

