

# TK3+ @46 bar Oil Level Regulator

CONNECTORS VERSION



TWO MOUNTING POSSIBILITIES WITH THE SAME PRODUCT (LEFT/RIGHT)

CABLE GLANDS VERSION



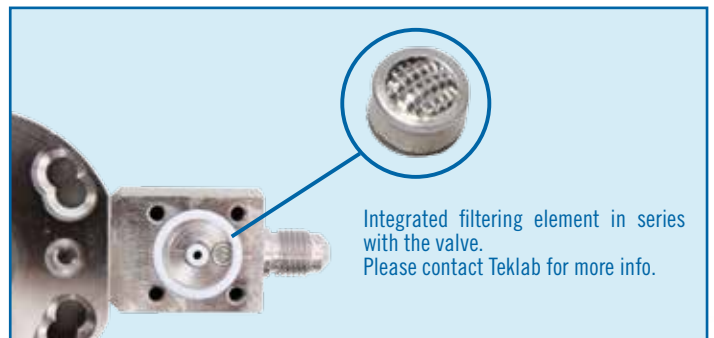
TWO MOUNTING POSSIBILITIES WITH THE SAME PRODUCT (LEFT/RIGHT)

## Some advantages of this solution:

- Extremely compact dimensions
- Left/Right mounting possibility with the same TK3+
- Reduction of the number of junctions in the circuit with less possibility of having leakages
- Usage of less components (simplified circuit and easier warehouse management)
- Simplified Installation (cost savings in terms of installation time).

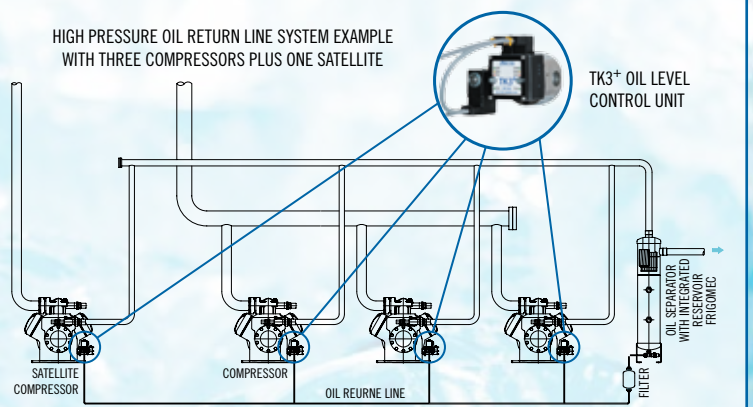
## Main Features

- **High reliability** ensured by absence of mechanical moving parts.
- **Sight glass and electronic LEDs** can be checked **on the same side** where is **more comfortable** to do **inspections**.
- Well consolidated steel with fused glass technology with absence of seals ensures **no leakage** and **good chemical compatibility**.
- **Direct sight glass replacement (3/4/6 holes flange connection)**.
- 24 VAC / 230 VAC power supply options.
- **Easy maintenance of the coil** of the valve **and of the Electro-Optic sensor** that can be easily replaced **without emptying or depressurizing the plant**.
- 230 VAC /2A alarm relay output suitable for **direct connection in the security chain** of the system.
- **Adapters suitable for various types of compressors**.
- **Unit conform to directives 2014/30/UE and 2014/35/UE**.



## Application Description

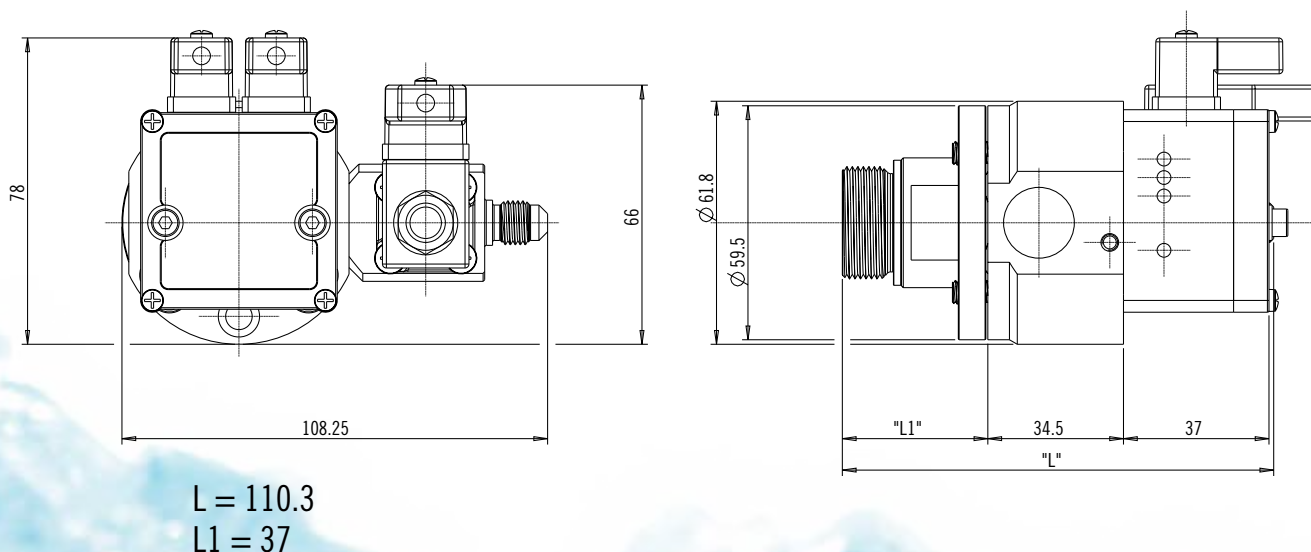
The TK3+ is designed to control the oil level in the compressor crankcase in order to avoid the compressor to run without oil and so improve its lifetime. TK3+ monitors the oil level with the embedded electro-optic sensor and comprises a solenoid valve for oil filling and a relay output contact to give an alarm.



## Technical Data

<b>SUPPLY VOLTAGE</b>	24 VAC $\pm$ 10% or 230 VAC $\pm$ 10% depending on model
<b>SUPPLY CURRENT</b>	Each TK3+ requires 20VA (depending on the solenoid valve)
<b>ELECTRICAL CONNECTION</b>	9.4mm Industry Standard Connectors / EN175301-803 Connector or spare wires
<b>OUTPUT SIGNAL</b>	Contact free relay output NO and NC
<b>RELAY OUTPUTS</b>	Up to 230VAC @2A
<b>HOUSING MATERIAL</b>	Nickel plated steel + fused glass PA glass fibre reinforced
<b>ENCLOSURE PROTECTION CLASS</b>	IP 65
<b>MEDIA TEMPERATURE</b>	-40°C ÷ +85°C
<b>AMBIENT TEMPERATURE</b>	-40°C ÷ +60°C
<b>MAX WORKING PRESSURE</b>	46 bar (higher pressure limits available on different TK3+ models)
<b>MOPD</b>	26 bar (higher pressure limits available on different TK3+ models)
<b>OIL RETURN LINE</b>	7/16 – 20 UNF male
<b>CABLE TYPE</b>	PVC cable CEI 20-22. Working temp.: -20 ÷ +70 °C (fixed laying)

## Mechanical Dimensions (connectors version)



**Note.** - Quotes in mm -. L and L1 can vary depending on the adapter (see Adapters Addendum)

## Ordering Codes

ELECTRICAL CONNECTION POWER SUPPLY	CABLE GLANDS 1 m	CONNECTORS 3 m	CONNECTORS 6 m
	<b>24 V</b>	TK3P-A20AB11-01	TK3P-A20AC13-01
<b>230 V</b>	TK3P-A20BB11-01	TK3P-A20BC13-01	TK3P-A20BC16-01

Suggested ordering codes include oil strainer element. Adapters must be ordered separately (see page 22-23 for details).