

TK3+ @120 bar Oil Level Regulator



CONNECTORS VERSION



TWO MOUNTING POSSIBILITIES WITH THE SAME PRODUCT (LEFT/RIGHT)

CABLE GLANDS VERSION



TWO MOUNTING POSSIBILITIES WITH THE SAME PRODUCT (LEFT/RIGHT)

Some advantages of this solution:

- Extremely compact dimensions
- Left/Right mounting possibility with the same TK3+
- Reduction of the number of junctions in the circuit with less possibility of having leakages
- Usage of less components (simplified circuit and easier warehouse management)
- Simplified Installation (cost savings in terms of installation time).

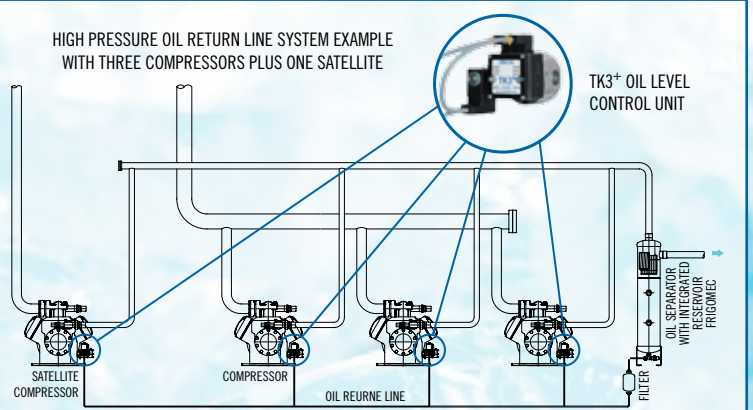
Main Features

- **High reliability** ensured by absence of mechanical moving parts.
- **Sight glass and electronic LEDs** can be checked **on the same side** where is **more comfortable** to do **inspections**.
- Well consolidated steel with fused glass technology with absence of seals ensures **no leakage** and **good chemical compatibility**.
- **Direct sight glass replacement (3/4/6 holes flange connection)**.
- 24 VAC / 230 VAC power supply options.
- **Easy maintenance of the coil of the valve and of the Electro-Optic sensor** that can be easily replaced **without emptying or depressurizing the plant**.
- 230 VAC /2A alarm relay output suitable for **direct connection in the security chain** of the system.
- **Adapters suitable for various types of compressors.**
- **Unit conform to directives 2014/30/UE and 2014/35/UE.**



Application Description

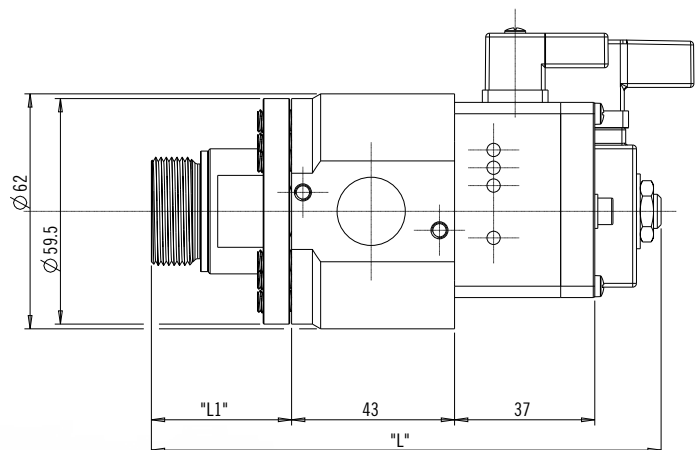
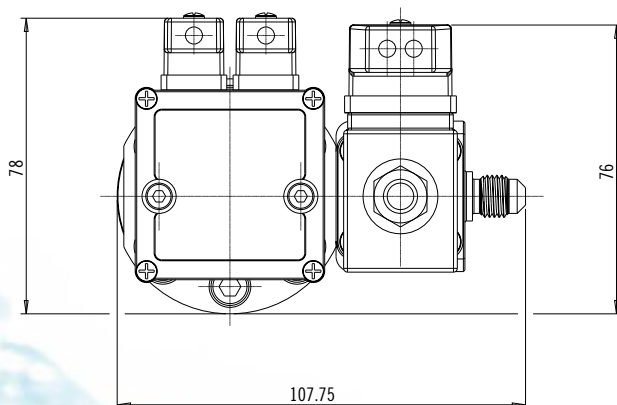
The TK3+ is designed to control the oil level in the compressor crankcase in order to avoid the compressor to run without oil and so improve its lifetime. TK3+ monitors the oil level with the embedded electro-optic sensor and comprises a solenoid valve for oil filling and a relay output contact to give an alarm.



Technical Data

SUPPLY VOLTAGE	24 VAC \pm 10% or 230 VAC \pm 10% depending on model
SUPPLY CURRENT	Each TK3+ requires 30VA (depending on the solenoid valve)
ELECTRICAL CONNECTION	9.4mm Industry Standard Connectors / EN175301-803 Connector or spare wires
OUTPUT SIGNAL	Contact free relay output NO and NC
RELAY OUTPUTS	Up to 230VAC @2A
HOUSING MATERIAL	Nickel plated steel + fused glass PA glass fibre reinforced
ENCLOSURE PROTECTION CLASS	IP 65
MEDIA TEMPERATURE	-40°C ÷ +85°C
AMBIENT TEMPERATURE	-40°C ÷ +60°C
MAX WORKING PRESSURE	120 bar (higher pressure limits available on different TK3+ models)
MOPD	100 bar (higher pressure limits available on different TK3+ models)
OIL RETURN LINE	7/16 – 20 UNF male
CABLE TYPE	PVC cable CEI 20-22. Working temp.: -20 ÷ +70 °C (fixed laying)

Mechanical Dimensions (connectors version)



L = 134.5

L1 = 37

Note. - Quotes in mm -. L and L1 can vary depending on the adapter (see Adapters Addendum)

Ordering Codes

ELECTRICAL CONNECTION POWER SUPPLY	CABLE GLANDS 1 m	CONNECTORS 3 m	CONNECTORS 6 m
	24 V	TK3P-F30AA11-03	TK3P-F30AC13-03
230 V	TK3P-F30BA11-03	TK3P-F30BC13-03	TK3P-F30BC16-03

Suggested ordering codes include oil strainer element. Adapters must be ordered separately (see page 22-23 for details).